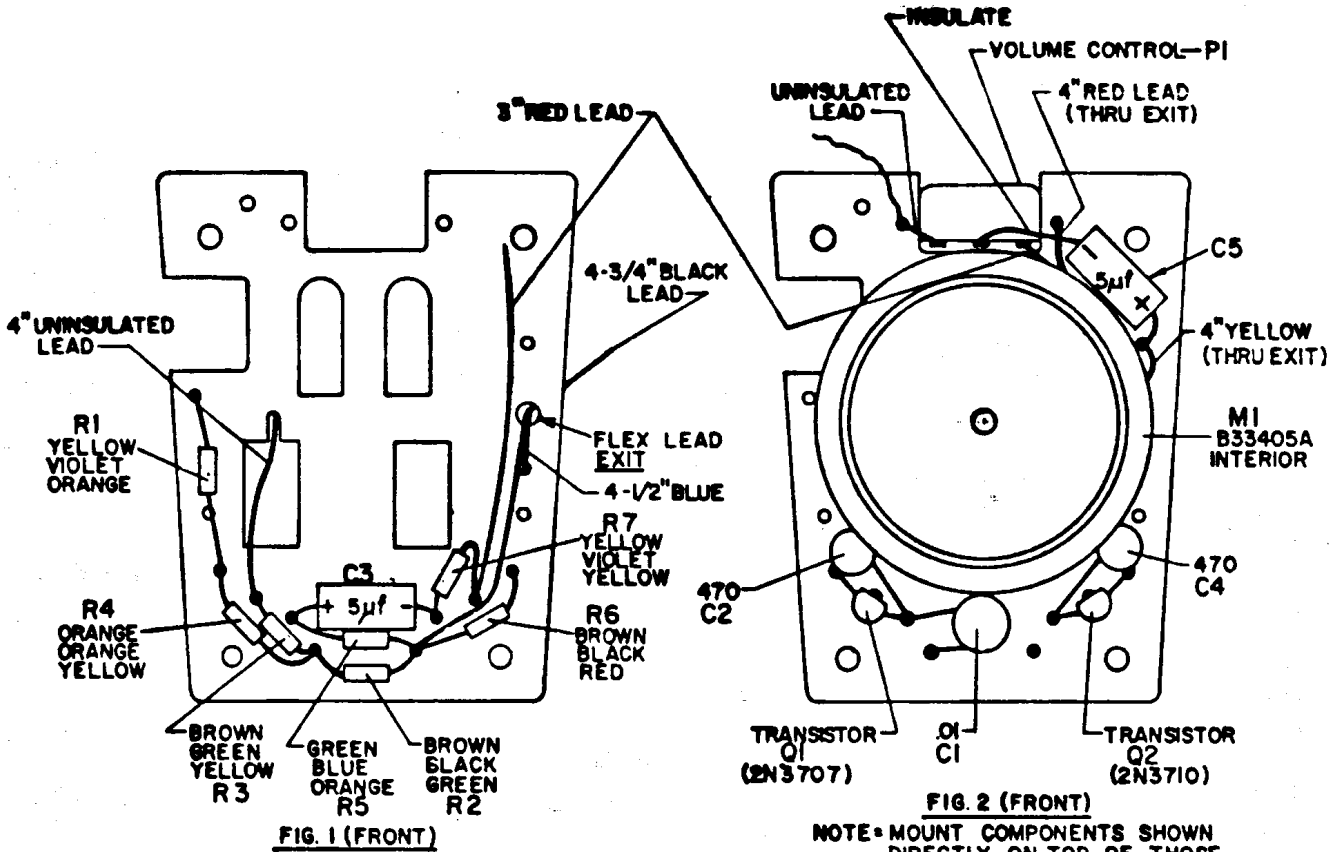
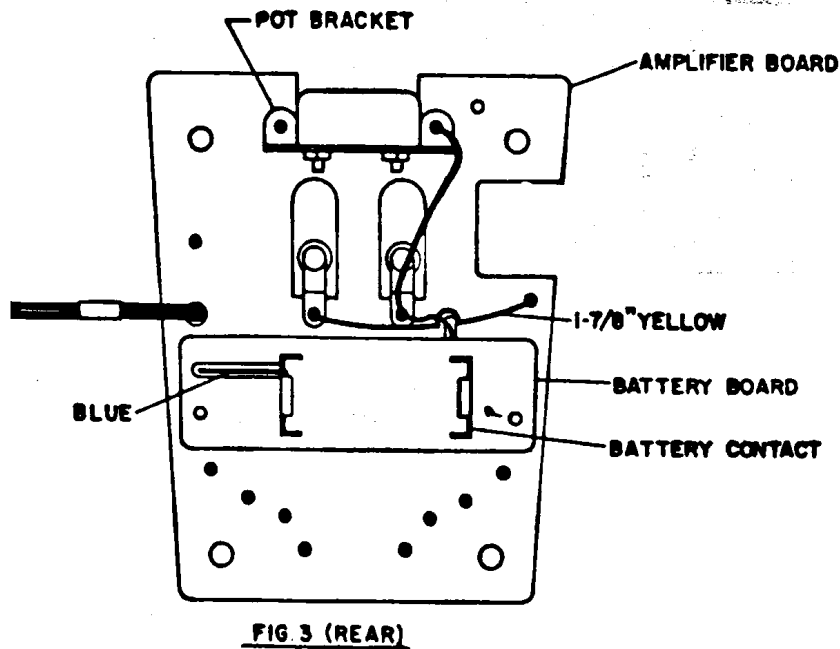
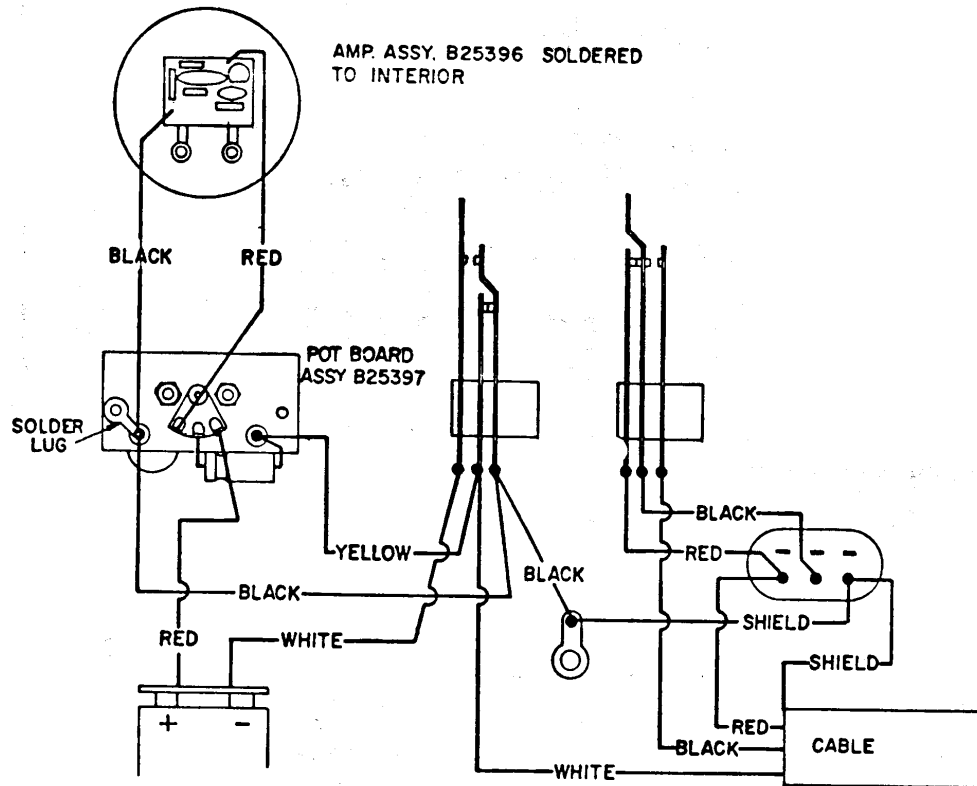
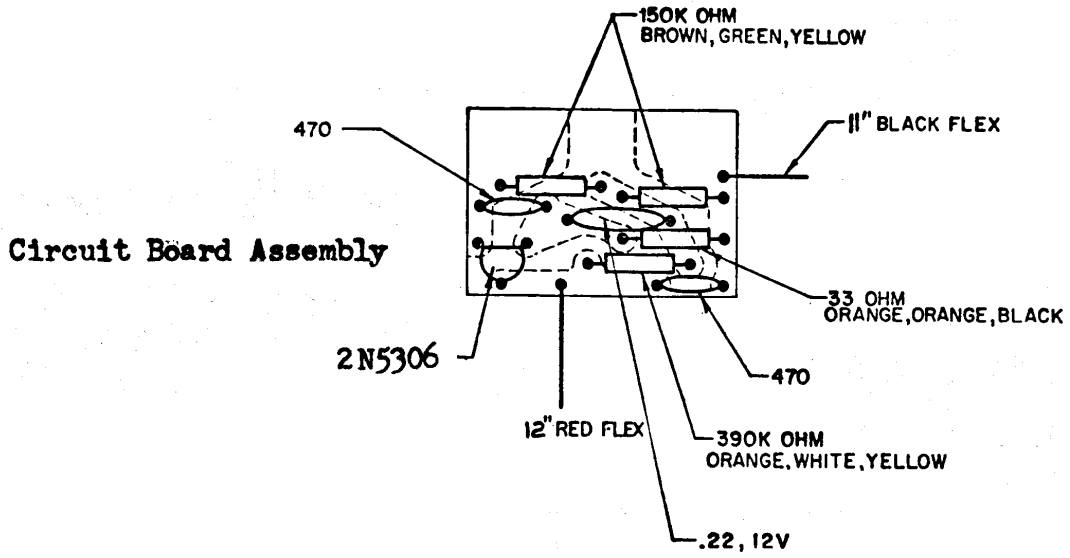


TURNER M+2 Amplifier Assembly



NOTE - MOUNT COMPONENTS SHOWN DIRECTLY ON TOP OF THOSE SHOWN FIG.1





Wiring Diagram

